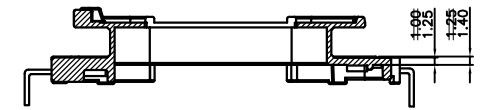
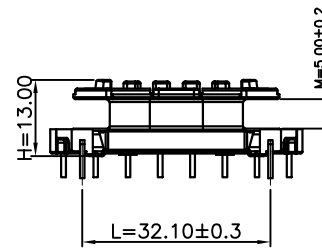
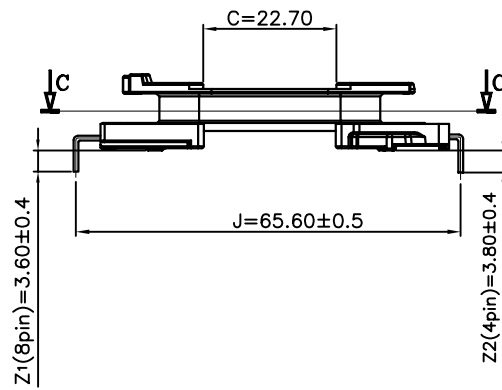
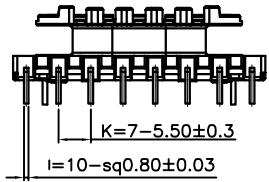
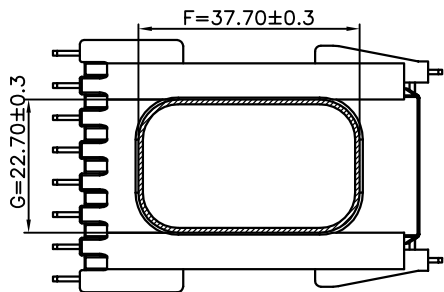


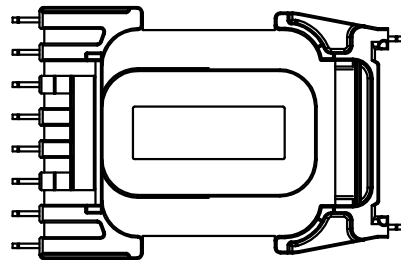
SECTION B-B



SECTION A-A



SECTION C-C



DRAWN	CHECKED	APPROVED	MATERIAL : PHENOL	UL REC. : UL94V-0	THIRD ANGLE PROJ.	SCALE : 1/1
GW, Jeon	S H, Kim	C, Park	Z : PIN LENGTH (According to customer's request)	DATE : 2014.09.16	TOLERANCE : ±0.2 (Unless otherwise specified)	UNIT : m/m
주식회사 대흥보빈 DAE HEUNG BOBBIN CO., LTD			TITLE EE 42*13 "V" (10P) (D)		DWG NO DH-140925-3077-17	